



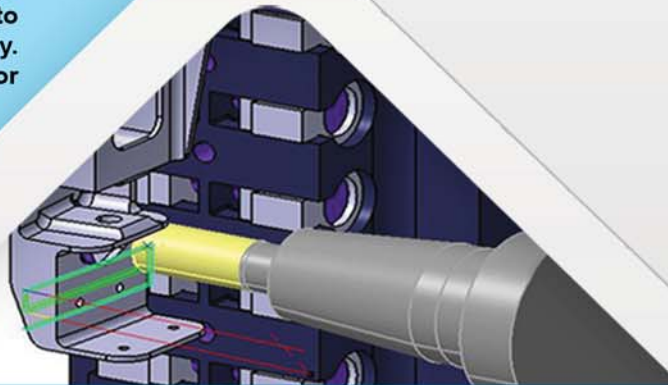
GLOBAL CNC

Quality Aircraft Components on time



Precision Machining

We specialize in the machining of 3 and 4-axis parts for the aerospace industry. We are able to machine parts of various levels of complexity. We can adjust our price for high quantity or small lots. We have in house CNC programming to ensure a quick turn around.



CNC programming service

We use CATIA V5 CAD/CAM software to develop high quality CNC programs. We use highly experienced manufacturing process-engineers We strive to achieve the best ROI for your business. This is accomplished through efficient tool - path and shortest run times, while maintaining quality and repeatable mfg processes

ANC
Austin N.C.

Post-Processor development

We partner with Austin NC and use G-post, also know as "Intercim". We can assist you in setting up your programming system using G-post and develop customized post-processors for your CNC machines.



Quality Management System (QMS)

Currently our QMS is compliant with AS9100 Rev-B and we are in the update process to AS9100 Rev-C.

Precision Machining

Global CNC manufactures aircraft components for the aerospace industry; we specialize in the machining of 3 and 4-axis parts. Our machining services are best suited for tier 1 and tier 2 OEM suppliers.

Global CNC price points are very competitive. Our business practices are customer-centric and designed to be flexible. This provides optimal prices for our customers. Also, employee training and good management help us provide good ROI for our customers.

See our equipment list for size capabilities.

Equipment List:	Max Work piece size (Inches)
3-Axis Fadal-8030	80 X 30
4-Axis Makino A55	20 X 20



Global CNC machining service is supported by our internal Engineering and CNC programming departments.

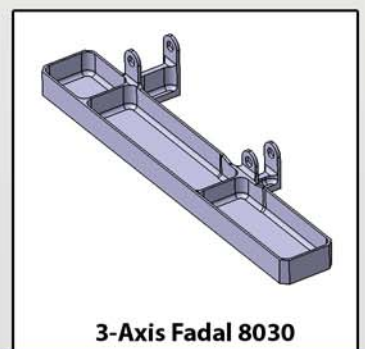
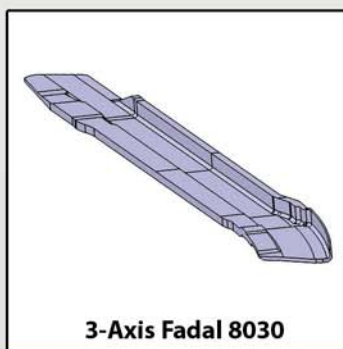
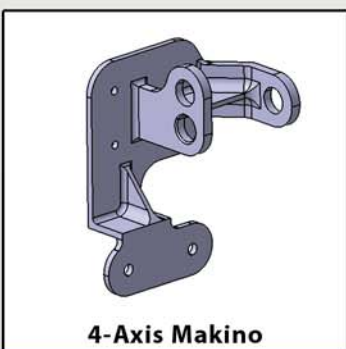
In House Engineering support:

Tools, labor and equipment are costly, so we are cost sensitive. Our Process-Engineers are constantly looking for ways to implement lean manufacturing through process improvement projects, the use of high speed machining techniques, modular tooling and quality monitoring to stay competitive.

In House Catia V5 CNC Programming:

Having experienced CNC programmers and process engineers at hand, allows us to control our cost, quality and lead times. This combination makes Global CNC a good candidate for the manufacturing of spare parts.

The implementation of high speed machining and use of modular tooling helps us stay competitive. Our in-house CATIA V5 programming system further accentuate our commitment to be competitive.



CNC Programming Service

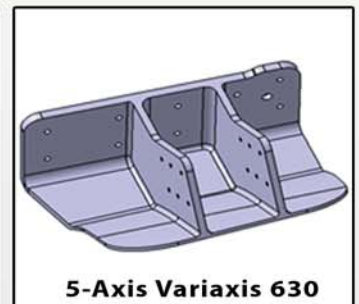
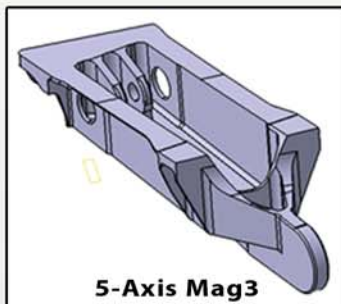
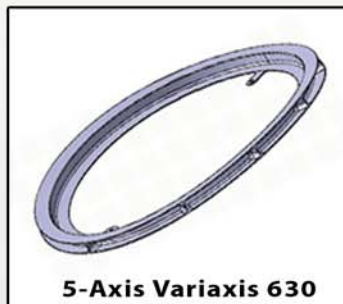
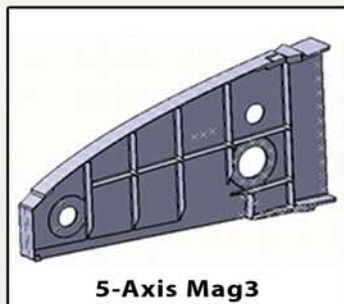
We use CATIA V5 CAD/CAM software to develop high quality CNC programs. We are highly experienced in the application of high-speed machining techniques and only use highly experienced manufacturing process-engineers. Most of our customers use our services for their 4 and 5 axis machines.

"Cartoon" CNC programming, is a term commonly used in the industry to refer to tool-path which only looks good on the computer screen, but it does not work in the real world. "Cartoon" programming" is not acceptable to us. We make sure the tool-path generated by our CNC programs will work on your machine.

This service is suitable for machine shops which don't have enough CNC programming resources available. We produce CNC programs that work well on the computer screen and more importantly on your machines. We consider tooling, cutting tools, spindle vibration (harmonics) etc. We drive our efforts to produce efficient and effective CNC programs.

We have real world manufacturing experience and we are aware of the financial cost of having multiple problems while tape proving and during production. With the CNC program been at the very foundation of any CNC manufacturing process, our philosophy is; **"it is always cheaper to do things right the first time"**. So, our goal is to produce financially efficient and effective manufacturing CNC programs for your machines. Additionally, our CNC programs are an opportunity to showcase our "Process Engineer" expertise.

In order for our CNC programs to be financially efficient to you, we combine our experience in the industry with CATIA V5 software to provide no less than excellent CNC programs.



Post-Processor Development

We partner with **Austin NC** and use G-post, also known as Intercim. We can assist you in setting up your programming system, using G-post and develop customized post-processors for your machines.

Our Service:

Global CNC can help you with all your G-Post post-processor needs. Post-Processor projects can be divided in the following categories:

- New Post-Processor development for new CNC equipment.
- Maintenance of existing Post-Processor.
- Improving existing Post-Processors.

If you don't have G-Post license, we can assist you with the setup of your system. Global CNC is a Distributor Partner for Austin NC.



Use With Permission Of Austin NC

OUR PROMISE

Global CNC Corporation understands your time and resources are valuable to be wasted testing unreliable suppliers. With us you don't have to worry about this, we answer all your questions to your satisfaction before we start. Your time will be well invested. Additionally, we can provide business references for any of our services, so you have the piece of mind you deserve.

Thanks for your interest and we look forward to work with you.



GLOBAL CNC
Quality Aircraft Components on time

**Optimum balance between cost, quality and lead time.
Visit our website for more information www.globalcnc.us**

DUNS 01-412-7565

Global CNC
1029 N Wichita St, Suite # 2
Wichita KS 67203

For more information
Please email us at
alucia@globalcnc.us
Call us at (316) 516-3400

Quality Aircraft Components on time

